



Transcension S4 DMX Booster

.....



Order code: BOTE60

WARNING

**FOR YOUR OWN SAFETY, PLEASE READ THIS USER MANUAL CAREFULLY
BEFORE YOUR INITIAL START-UP!**

**CAUTION!**

**Keep this equipment away from rain,
moisture and liquids.**

**SAFETY INSTRUCTIONS**

Every person involved with the installation, operation & maintenance of this equipment should:

- Be competent
- Follow the instructions of this manual



**CAUTION! TAKE CARE USING THIS EQUIPMENT!
HIGH VOLTAGE-RISK OF ELECTRIC SHOCK!!**



Before your initial start-up, please make sure that there is no damage caused during transportation. Should there be any, consult your dealer and do not use the equipment.

To maintain the equipment in good working condition and to ensure safe operation, it is necessary for the user to follow the safety instructions and warning notes written in this manual.

Please note that damages caused by user modifications to this equipment are not subject to warranty.

IMPORTANT:

The manufacturer will not accept liability for any resulting damages caused by the non-observance of this manual or any unauthorised modification to the equipment.

- Never let the power-cable come into contact with other cables. Handle the power-cable and all mains voltage connections with particular caution!
- Never remove warning or informative labels from the equipment.
- Do not open the equipment and do not modify the equipment.
- Do not connect this equipment to a dimmer-pack.
- Do not switch the equipment on and off in short intervals, as this will reduce the system's life.
- Only use the equipment indoors.
- Do not expose to flammable sources, liquids or gases.
- Always disconnect the power from the mains when equipment is not in use or before cleaning! Only handle the power-cable by the plug. Never pull out the plug by pulling the power-cable.
- Make sure that the available voltage is between 220v/240v.
- Make sure that the power-cable is never crimped or damaged. Check the equipment and the power-cable periodically.
- If the equipment is dropped or damaged, disconnect the mains power supply immediately. Have a qualified engineer inspect the equipment before operating again.
- If the equipment has been exposed to drastic temperature fluctuation (e.g. after transportation), do not switch it on immediately. The arising condensation might damage the equipment. Leave the equipment switched off until it has reached room temperature.
- If your product fails to function correctly, discontinue use immediately. Pack the unit securely (preferably in the original packing material), and return it to your Prolight dealer for service.
- Only use fuses of same type and rating.
- Repairs, servicing and power connection must only be carried out by a qualified technician. **THIS UNIT CONTAINS NO USER SERVICEABLE PARTS.**
- **WARRANTY;** One year from date of purchase.

OPERATING DETERMINATIONS

If this equipment is operated in any other way, than those described in this manual, the product may suffer damage and the warranty becomes void.

Incorrect operation may lead to danger e.g.: short-circuit, burns and electric shocks etc.

Do not endanger your own safety and the safety of others!

Incorrect installation or use can cause serious damage to people and property.

Features:

4-way DMX distributor, 1 x DMX Input, 4 x DMX outputs & 1 DMX thru
 3 & 5 pin XLR DMX connectors
 Data LED indicators.
 Linkable with other S4 units via 3 or 5 pin XLR.
 Link out

DMX 512-512 Connection:

The DMX booster/distributor can either be connected directly to the lighting controller or after a series of DMX fixtures.

You can connect up to 31 DMX fixtures to every DMX output socket.

If you connect the booster after a DMX fixture the number of DMX units before the booster must not exceed 31.



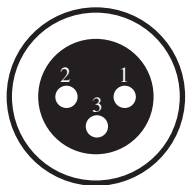
THE WIRES MUST NOT COME INTO CONTACT WITH EACH OTHER, OTHERWISE THE FIXTURES WILL NOT WORK, OR WILL NOT WORK PROPERLY.



Only use a stereo shielded cable and 3-pin or 5-pin XLR plugs and connectors in order to connect the controller with the fixture or one fixture with another.

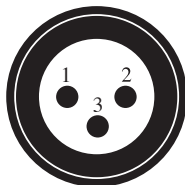
XLR connection

DMX output XLR mounting socket



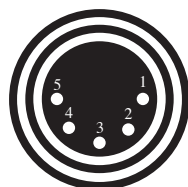
- 1: Ground
- 2: Signal (-)
- 3: Signal (+)

DMX input XLR mounting socket



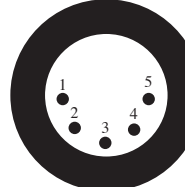
- 1: Ground
- 2: Signal (-)
- 3: Signal (+)

DMX output XLR mounting socket



- 1: Ground
- 2: Signal (-)
- 3: Signal (+)
- 4: Not used
- 5: Not used

DMX input XLR mounting socket



- 1: Ground
- 2: Signal (-)
- 3: Signal (+)
- 4: Not used
- 5: Not used

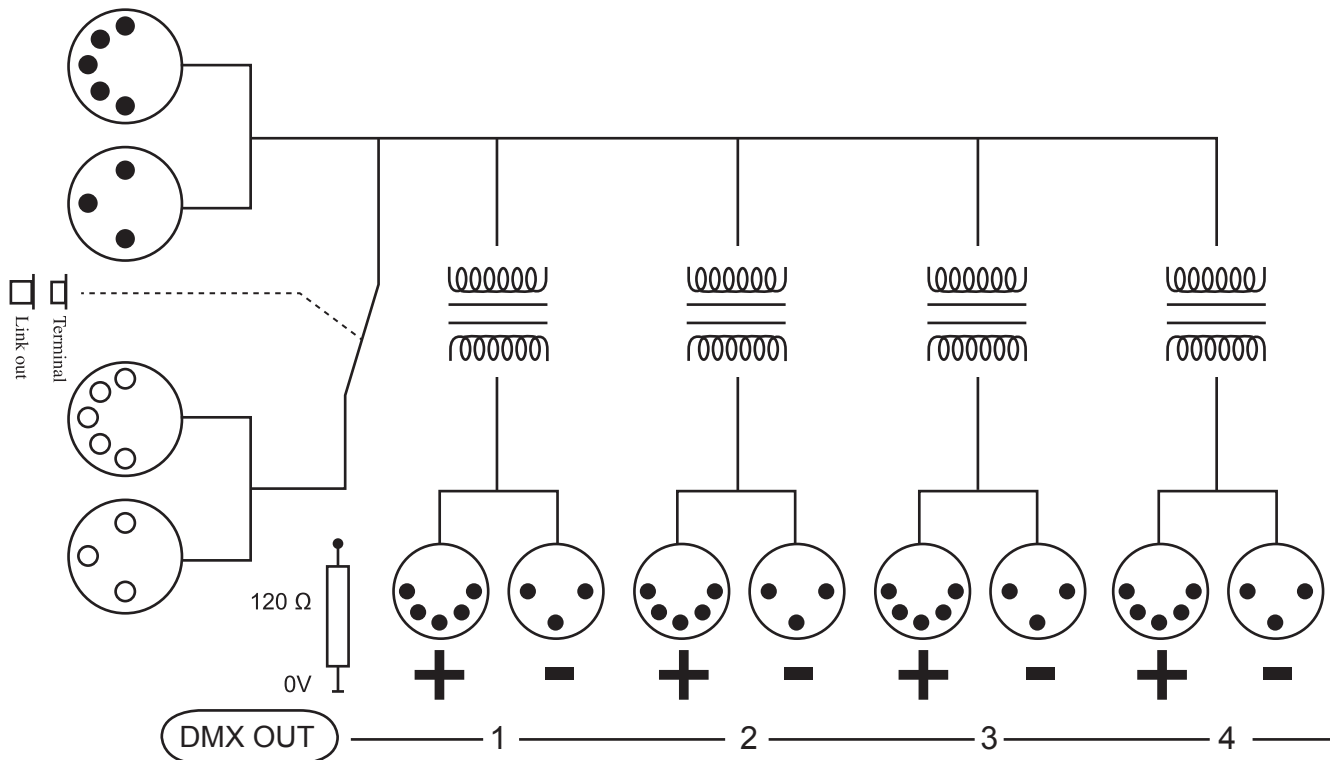
Connector pin assignment:

- Pin 1: Signal common (shield)
- Pin 2: Dimmer drive complement (data 1-)
- Pin 3: Dimmer drive true (data 1+)
- Pin 4: Option second data link complement (data 2-) (not used)
- Pin 5: Option second data link complement (data 2+) (not used)

Caution: On the last fixture, the DMX cable has to be terminated with a terminator. Solder a 120 Ω resistor between signal (-) and signal (+) into a 3-pin XLR plug and connect it to the DMX output of the last fixture. A ready made terminator can be purchased separate using order code CABL90.

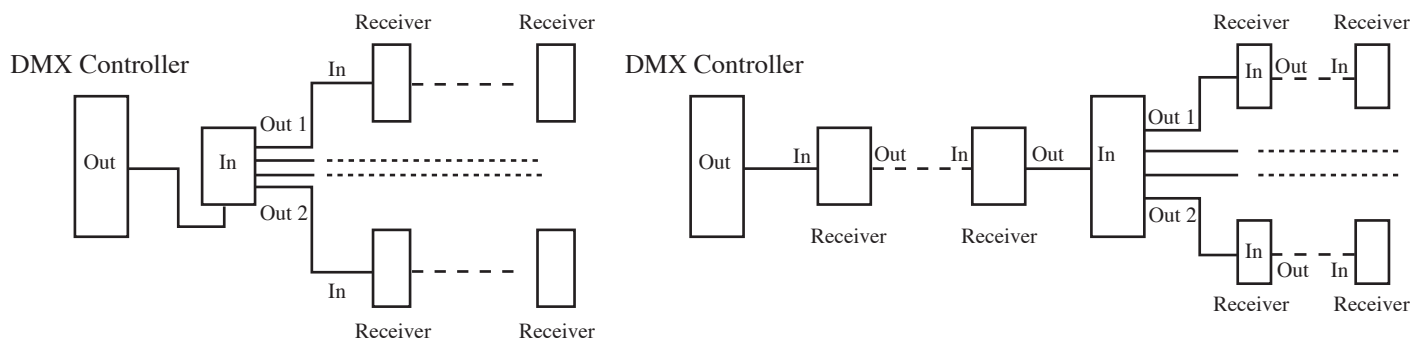
After you have connected the fixtures to the mains, the S4 DMX Booster is ready for use.

Operating Instruction and Connection:



DMX INPUT: From the DMX transmitting fixture.
DMX OUTPUT: Connect to the DMX receiving fixture.

Connection Diagram:



The receiver can not have more than 32 units on one output channel

The receiver can not have more than 31 units before the DMX Booster
 The receiver can not have more than 32 units on one output channel

Technical Specifications:

Power supply.....	240V AC ~ 50Hz
Power consumption.....	20W
DMX-512 output.....	3-pin or 5-pin XLR connector
Fuse.....	5x0.5A
Dimensions.....	280 x 180 x 75mm
Weight.....	2.5Kg